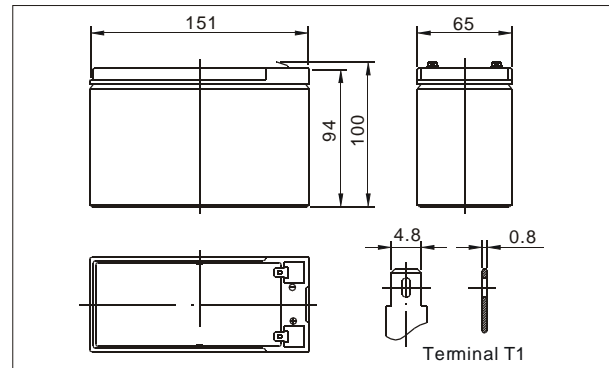




● Outer dimensions (mm)



The CHIWAY sealed lead-acid rechargeable battery (VRLA battery) is leak-proof and maintenance free. The Superiority of VRLA battery is derived from its uniquely efficient oxygen recombination technology. The oxygen evolved from the positive plates diffuses through the micro porous glass fiber mat to the negative plates where it is changed back to water by recombination reaction, eliminating the need for water addition. The result is a maintenance free battery.

● Battery Construction

Component	Positive plate	Negative plate	Container	Cover	Safety valve	Terminal	Separator	Electrolyte
Raw material	Lead dioxide	Lead	ABS	ABS	Rubber	Copper	Fiberglass	Sulfuric acid

● General Features

- Absorbent Glass Mat (AGM) technology for efficient gas recombination of up to 99% and freedom from electrolyte maintenance or water adding.
- Not restricted for air transport-complies with IATA/ICAO Special Provision A67.
- UL-recognized component.
- Can be mounted in any orientation.
- Computer designed lead, calcium tin alloy grid for high power density.
- Long service life, float or cyclic applications.
- Maintenance-free operation.
- Low self discharge.

● Application

- Alarm System
- Medical Equipment
- Cable Television
- Control Equipment
- UPS
- Communication Equipment
- Toys
- Emergency power System
- Power Tools
- Security System

● Specifications

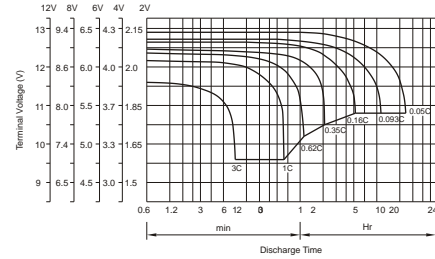
Nominal Voltage		12V
Capacity (20 hr 25°C)		7Ah
Design Life		3-5 Years
Dimensions	Length	151mm (5.94 inch)
	Width	65mm (2.56 inch)
	Height	94 mm (3.70 inch)
	Total Height	100mm (3.94 inch)
Approx. Weight		2.50 Kg (5.52 lbs)
Capacity 25°C (77°F)	20 hr rate	7Ah
	10 hr rate	6.51Ah
	5 hr rate	5.95Ah
	1 hr rate	4.20Ah
Internal Resistance (Full charged Battery at 25°C (77°F))		22m Ω

Capacity affected by Temperature (20hr)	40°C	102%
	25°C	100%
	0°C	85%
	-15°C	65%
Self-Discharge at 25°C	3 month	Remaining capacity: 91%
	6 month	Remaining capacity: 82%
	12 month	Remaining capacity: 65%
Normal operating temperature		25°C ±3°C (77°F ±5°F)
Operating temperature range		-15°C~50°C (5~122°F)
Float charging voltage (25°C)		13.6 to 13.8V
Cyclic charging voltage (25°C)		14.5 to 14.9V
Maximum charging current		2.80A
Terminal material		Copper
Maximum Discharge current		105A (5sec)

Charge characteristic Curve for standby use



Discharge characteristic Curve



Relationship between charging voltage and temperature



Self-discharge characteristic



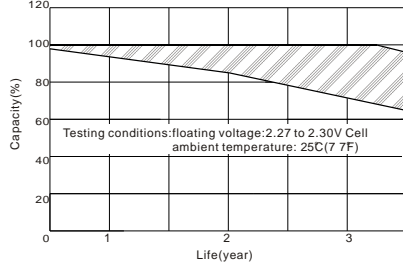
Temperature effects on float life



Temperature effects on capacity



Life characteristics of Standby use



Cycle service life in relation to depth of discharge



Constant Current Discharge Characteristics (Amperes, 25°C)

Constant Power Discharge Characteristics (Watts, 25°C)

F.V/Time	Constant Current Discharge Characteristics (Amperes, 25°C)								Constant Power Discharge Characteristics (Watts, 25°C)							
	5min	10min	30min	1h	3h	5h	10h	20h	5min	10min	30min	1h	3h	5h	10h	20h
10.80V	17.56	16.68	7.70	4.38	1.87	1.23	0.70	0.35	222.0	147.00	62.42	37.80	19.95	13.18	7.42	4.26
10.50V	19.60	17.50	7.88	4.49	1.87	1.23	0.70	0.35	239.4	158.08	66.62	39.90	20.53	13.65	7.58	4.29
10.20V	22.40	17.73	8.11	4.61	1.93	1.28	0.70	0.35	257.7	169.17	70.93	42.00	21.00	14.23	7.65	4.32
9.60V	24.56	18.67	8.46	4.78	1.93	1.28	0.70	0.35	294.0	191.57	78.75	46.20	22.05	14.70	7.65	4.38

Packing Dimensions	329*293*124mm	Quantity Per Box	8pcs	Net weight Per Box	20kg	Gross weight Per Box	20.5kg	
Splint	Europe (1200*800mm)	Australia (1150*1100mm)		Standard (1100*950mm)		Nonstandard (1000*900mm)		
20'DRY 8.5'	5.6k		6.48k		6.9k		6.9k	



SHENZHEN CHIWAY BATTERY CO., LTD.

Jingyi Industrial Zone, NO.528 Jinbi Road, Pingshan Town, Longgang District, Shenzhen, China.
Tel: (+86-755) 8993 0038 8993 1028 Fax: (+86-755)8993 0306 E-mail : sales@chiway-battery.com

www.chiway-battery.com