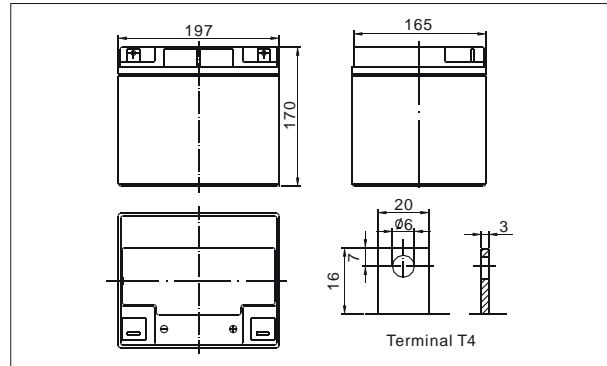




● **Outer dimensions (mm)**



The CHIWAY sealed lead-acid rechargeable battery (VRLA battery) is leak-proof and maintenance free. The Superiority of VRLA battery is derived from its uniquely efficient oxygen recombination technology. The oxygen evolved from the positive plates diffuses through the micro porous glass fiber mat to the negative plates where it is changed back to water by recombination reaction, eliminating the need for water addition. The result is a maintenance free battery.

● **Battery Construction**

Component	Positive plate	Negative plate	Container	Cover	Safety valve	Terminal	Separator	Electrolyte
Raw material	Lead dioxide	Lead	ABS	ABS	Rubber	Copper	Fiberglass	Sulfuric acid

● **General Features**

- Absorbent Glass Mat (AGM) technology for efficient gas recombination of up to 99% and freedom from electrolyte maintenance or water adding.
- Not restricted for air transport-complies with IATA/ICAO Special Provision A67.
- UL-recognized component.
- Can be mounted in any orientation.
- Computer designed lead, calcium tin alloy grid for high power density.
- Long service life, float or cyclic applications.
- Maintenance-free operation.
- Low self discharge.

● **Application**

- Alarm System
- Medical Equipment
- Cable Television
- Control Equipment
- UPS
- Communication Equipment
- Toys
- Emergency power System
- Power Tools
- Security System

● **Specifications**

Nominal Voltage		12V
Capacity (10 hr 25°C)		40Ah
Design Life		10 Years
Dimensions	Length	197 mm (7.76 inch)
	Width	165 mm (6.50 inch)
	Height	170 mm (6.69 inch)
	Total Height	170 mm (6.69 inch)
Approx. Weight		13.5 Kg (29.8 lbs)
Capacity 25°C (77°F)	10 hr rate	40Ah
	3 hr rate	32Ah
	1 hr rate	26Ah
Internal Resistance (Full charged Battery at 25°C (77°F))		9.5m Ω

Capacity affected by Temperature (20hr)	40°C	102%
	25°C	100%
	0°C	85%
	-15°C	65%
Self-Discharge at 25°C	3 month	Remaining capacity: 91%
	6 month	Remaining capacity: 82%
	12 month	Remaining capacity: 65%
Normal operating temperature		25°C ± 3°C (77°F ± 5°F)
Operating temperature range		-15°C ~ 50°C (5 ~ 122°F)
Float charging voltage (25°C)		13.60 to 13.80V
Cyclic charging voltage (25°C)		14.50 to 14.90V
Maximum charging current		12.0A
Terminal material		Copper
Maximum Discharge current		400A (5sec)

Charge characteristic Curve for standby use



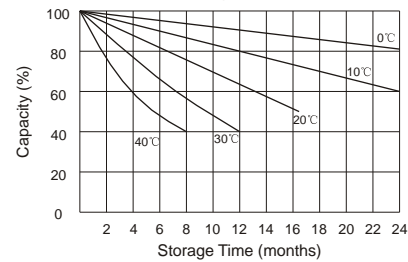
Discharge characteristic (25°C/77°F)



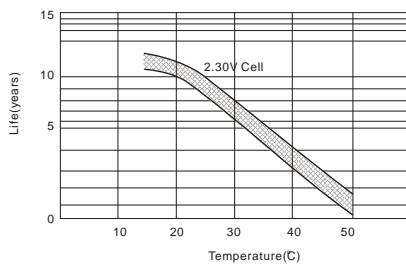
Relationship between charging voltage and temperature



Self-discharge characteristic



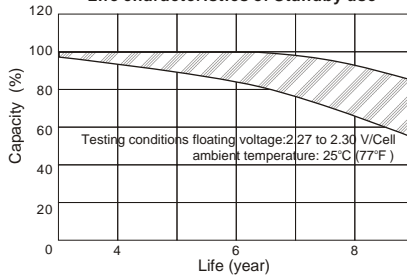
Temperature effects on float life



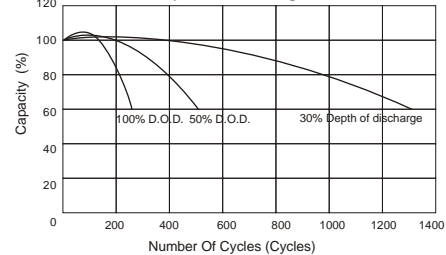
Temperature effects on capacity



Life characteristics of Standby use



Cycle service life in relation to depth of discharge



F.V/Time	Constant Current Discharge Characteristics(Amperes, 25°C)								Constant Power Discharge Characteristics(Watts, 25°C)							
	5min	10min	15min	30min	1h	3h	5h	10h	5min	10min	15min	30min	1h	3h	5h	10h
10.80V	106.4	76.4	57.6	35.2	24.8	10.00	6.72	4.00	1172.0	824.2	632.0	400.0	284.0	116.0	78.0	47.8
10.50V	112.0	79.4	66.0	39.2	25.2	10.40	6.98	4.04	1232.0	850.9	650.9	448.0	289.6	122.0	82.0	48.0
10.20V	120.0	81.8	70.4	43.2	25.6	10.60	7.12	4.08	1300.0	877.6	672.0	492.0	294.4	124.0	83.2	48.2
9.60V	140.0	85.5	78.0	48.0	26.0	10.80	7.12	4.12	1520.0	923.6	680.0	552.0	298.4	126.0	84.0	48.5

Packing Dimensions	221*189*194mm	Quantity Per Box	1 pcs	Net weight Per Box	13.5kg	Gross weight Per Box	14.0 kg
Splint	Europe (1200*800mm)	Australia(1150*1100mm)	Standard(1100*950mm)	Nonstandard (1000*1150mm)			
20'DRY 8.5'	880PCS	1040PCS	1260PCS	1120PCS			



### SHENZHEN CHIWAY BATTERY CO., LTD.

Jingyi Industrial Zone, NO.528 Jinbi Road, Pingshan Town, Longgang District, Shenzhen, China.  
Tel: (+86-755) 8993 0038 8993 1028 Fax: (+86-755)8993 0306 E-mail : sales@chiway-battery.com

www.chiway-battery.com